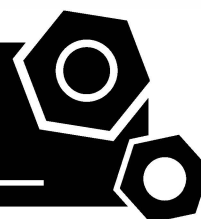


Generator set
Sound-proof type
GMS320CS-AU

SPECIFICATIONS



www.powerlinkworld.com

CONTACT US TODAY

1300 885 789 | paul@powergenaustralia.com.au
powergenaustralia.com.au

PowerGen
— AUSTRALIA —
AUTHORISED DEALER

1 Standards & Conditions

Design Standards

The designs and the productions are in conformity with:

- Conformance Européenne (CE)
- ISO8528-5:2005
- AS 3000-2018
- AS 3010-2017

Environmental Operating Conditions

- Installation place: Outdoors or indoors (well ventilated).
- Ambient temperature: -25°C to 50°C. The coolant heater is needed when the temperature is below 5°C
- Humidity: Less than 80%.
- Altitude: Below one thousand (1000) meters.

Factory Inspection

- Inspection items.
- Protection devices working test.
- Starting ability in normal temperature.
- 50% rated power load moment capability.
- Voltage deviation and speed variation: 0%, 25%, 50%, 75%, 100%, 110% Load.

Painting Process

- Painting process specifications and colors are based on the manufacturer's standard.
- The customer could also choose the color which the manufacturer offers.

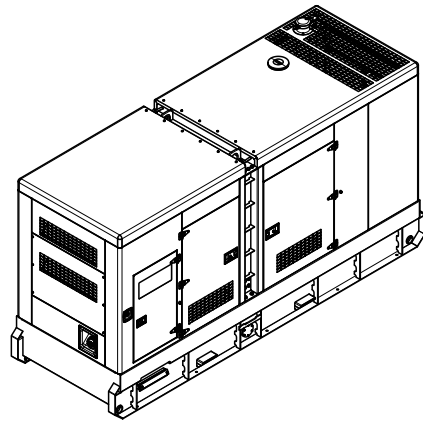
2 General Features

- Cummins engine 6LTAA9.5-G1
- Close coupled to LSA alternator LSA46.3L10
- Microprocessor control module PLC-7420
- ABB main circuit breaker: 500A, 4P
- Rotate speed governor: Electrical governor
- Excitation System: AREP
- A.V.R.Model: R250
- Key switch
- Emergency stop switch
- ATS (automatic transfer switch) receptacle
- 2x12V/120AH sealed for life maintenance free battery

- Lockable battery isolator switch
- 50°C radiator
- Oil pump on the engine
- Steel base frame with lifting lug
- Vibration isolators between the engine/alternator and base frame
- Dry type air filter
- Base fuel tank for 21 hours running
- Drain points for fuel tank
- Operation Manual / Specifications

3 Equipment Specification

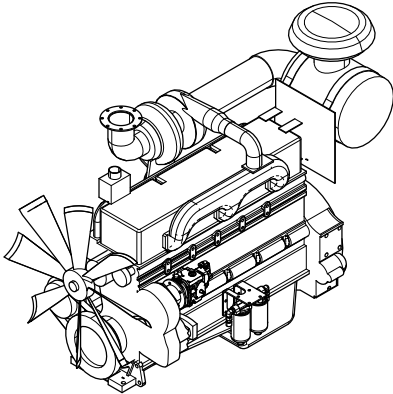
General technical data



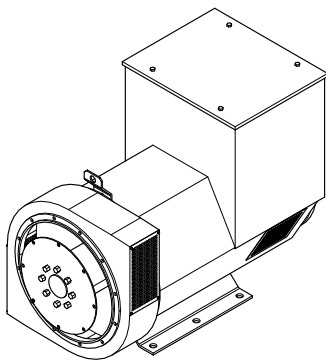
Model.....	GMS320CS-AU
Structure type	R
Tank capacity.....	1500L
Dry weight.....	4140kg
Sound pressure level @7m	75.7dBA
Dimensions L×W×H.....	4242×1463×2482mm
Standby Power	352kVA/282kW
Prime Power	320kVA/256kW

Voltage	380V	400V	415V	440V	
Ampere	486.2A	461.9A	445.2A	419.0A	
Genset Fuel Consumption					
Frequency/Load	25%	50%	75%	100%	110%
50Hz (L/h)	18	35	52	70	78

Power System

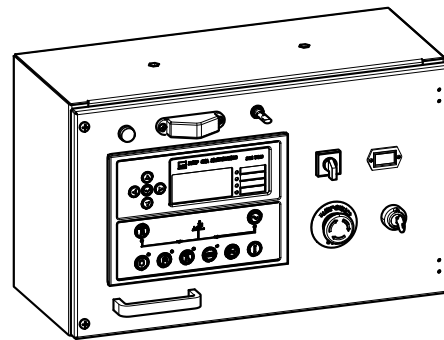


Engine Manufacturer/Brand	Cummins
Engine Model	6LTAA9.5-G1
Dry Weigh (approx.)	791Kg
Number of Cylinders	6
Bore	116.5mm
Stroke	148mm
Displacement	9.5L
Type of injection	Direct injection
Intake System	Turbocharged
Intake Resistance	≤6.22kPa
Cooling System	Water cooled
Fan	Pusher
Battery Voltage	24V
Type of Fuel	No.2-D per ASTM D975.
Type of Oil	API CD/SE or CCMCD4
Oil Capacity	32.4L
Type of Coolant	Glycol mixture
Coolant Capacity	11.1L
Back Pressure	≤10kPa
Standby Power	320kW
Prime Power	290kW



Alternator Manufacturer/Brand	Leroy Somer
Alternator Model	LSA 46.3 L10
Exciter	Brushless
Cooling Fan	Cast alloy aluminum
Windings	100% copper
Insulation Class	H
Winding Pitch	2/3
Terminals	12
Drip Proof	IP23
Altitude	≤1000m
Overspeed	2250rpm
Air Flow	0.58m³/s(50Hz),0.69m³/s(60Hz)
Voltage Regulation	±1.0%
Total Harmonic TGH / THCat no load < 1.5 % - on load < 5%	
Telephone Interference	THF<2%;TIF<50

PLC-7420 Control System



PLC-7420 is an advanced control module based on micro-processor, containing all necessary functions for protection of the genset and the breaker control. It can monitor the mains supply, and automatically start the engine when the mains is abnormal. Accurately measure various operational parameters and display all values and alarms information on the LCD. In addition, the control module can automatically shut down the engine and indicate the engine failure.

- Microprocessor control, with high stability and credibility
- Monitoring and measuring operational parameters of the mains supply and genset
- Indicating operation status, fault conditions, all parameters and alarms
- Multiple protections; multiple parameters display, like pressure, temp. etc.
- Manual, automatic and remote work mode selectable
- Real time clock for time and date display, overall runtime display, 250 log entries
- Overall power output display
- Integral speed/frequency detecting, telling status of start, rated operation, overspeed etc.
- Communication with PC via RS485 OR RS232 interface, using MODBUS protocol

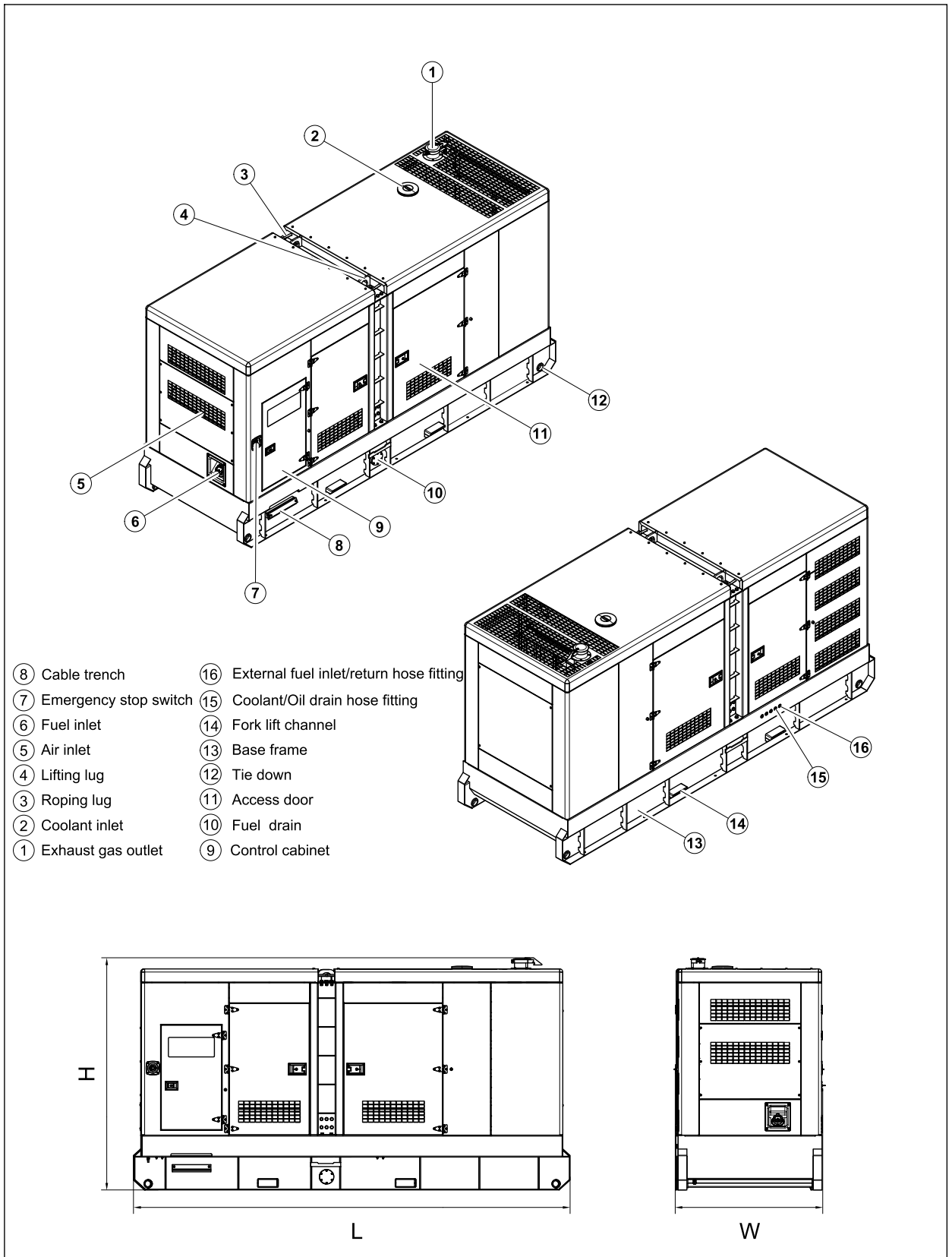
CONTACT US TODAY

1300 885 789 | paul@powergenaustralia.com.au
powergenaustralia.com.au

PowerGen
— AUSTRALIA —

AUTHORISED DEALER

4 Overall Dimensions



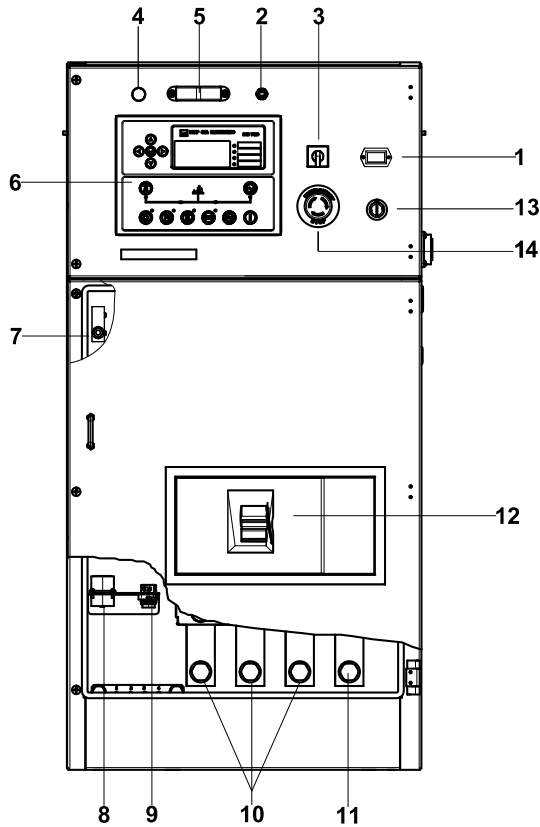
CONTACT US TODAY

1300 885 789 | paul@powergenaustralia.com.au
powergenaustralia.com.au

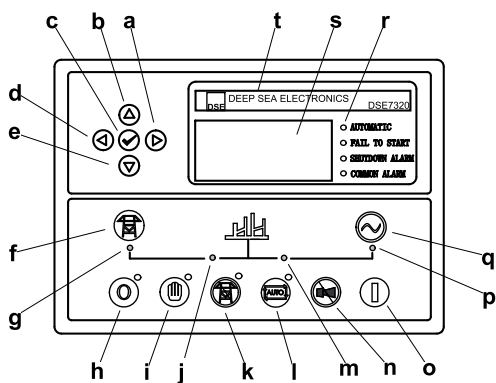
PowerGen
— AUSTRALIA —

AUTHORISED DEALER

4 Control System



Control & Field wiring cabinet



Control module

Ref.	Description
1	Time counter
2	Control cabinet lamp switch
3	Mains input changeover switch
4	Charge indicator
5	Control cabinet lamp
6	Control module
7	Limit switch
8	ATS connector
9	Remote run connector
10	Live wire terminals
11	Neutral wire terminal
12	Main circuit breaker
13	Key switch
14	Emergency stop switch

a	Button (next page)
b	Button (increase value / previous item)
c	Button (accept)
d	Button (previous page)
e	Button (decrease value / next item)
f	Button (transfer the load to the mains supply, when in Manual mode only)
g	Mains supply available LED
h	Stop / Reset button
i	Manual button (Manual control mode)
j	Mains supply on load LED
k	Test button (Test mode)
l	Auto button (Auto mode)
m	Genset on load LED
n	Mute/Lamp test button
o	Start button (Manual)
p	Genset available LED
q	Button (transfer the load to the genset, when in Manual mode only)
r	Alarm LED (4 alarm items)
s	LCD display
t	Control module name

CONTACT US TODAY

1300 885 789 | paul@powergenaustralia.com.au
powergenaustralia.com.au

PowerGen
— AUSTRALIA —

AUTHORISED DEALER

1000030745-A2-E
09.2020

<http://www.powerlinkworld.com>

*Specification may change without prior notice. For more info.,
contact Power Link or your local distributors please.*

©2020 POWERLINK

CONTACT US TODAY

1300 885 789 | paul@powergenaustralia.com.au
powergenaustralia.com.au

PowerGen
— AUSTRALIA —
AUTHORISED DEALER